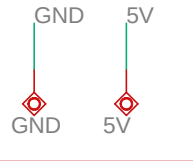


Licensed Under CC BY-NC-ND 4.0.

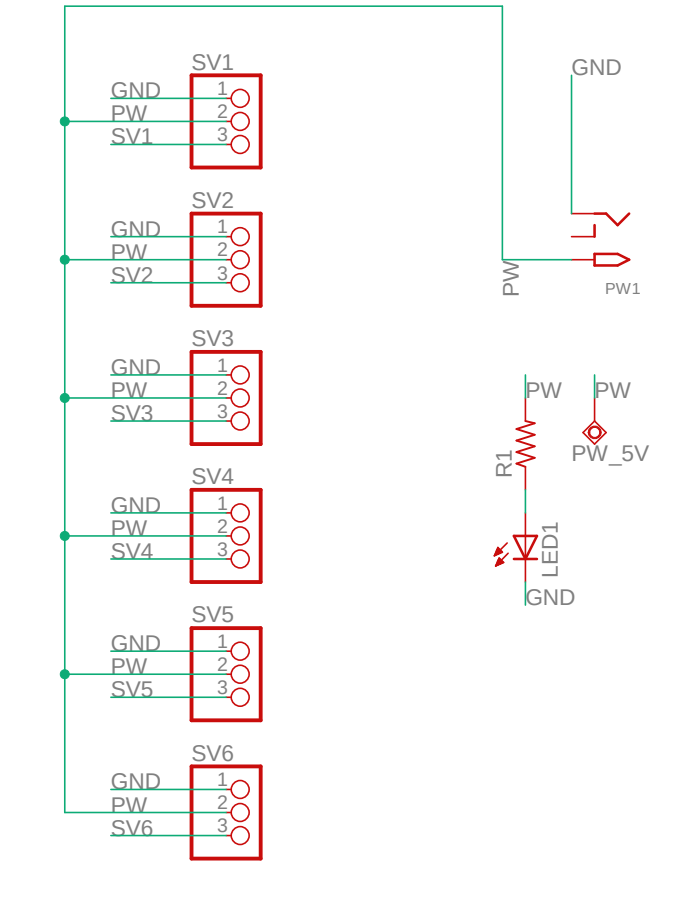
Arduino Shield: 6 servos, 6 potentiometers.



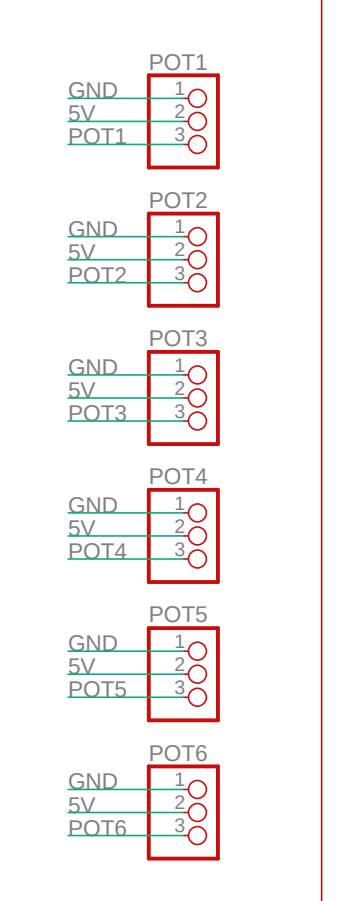
Arduino test pads.



5V regulator with test pads.



All potentiometers in parallel.



(c) 2021, Murilo M. Marinho (www.murilomarinho.info)

Revision history:

2021/02/25: Fixed 5V not being correctly connected, added 1206 LED and resistor.